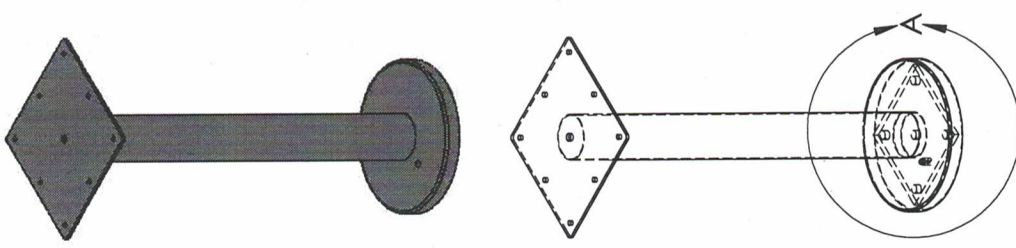
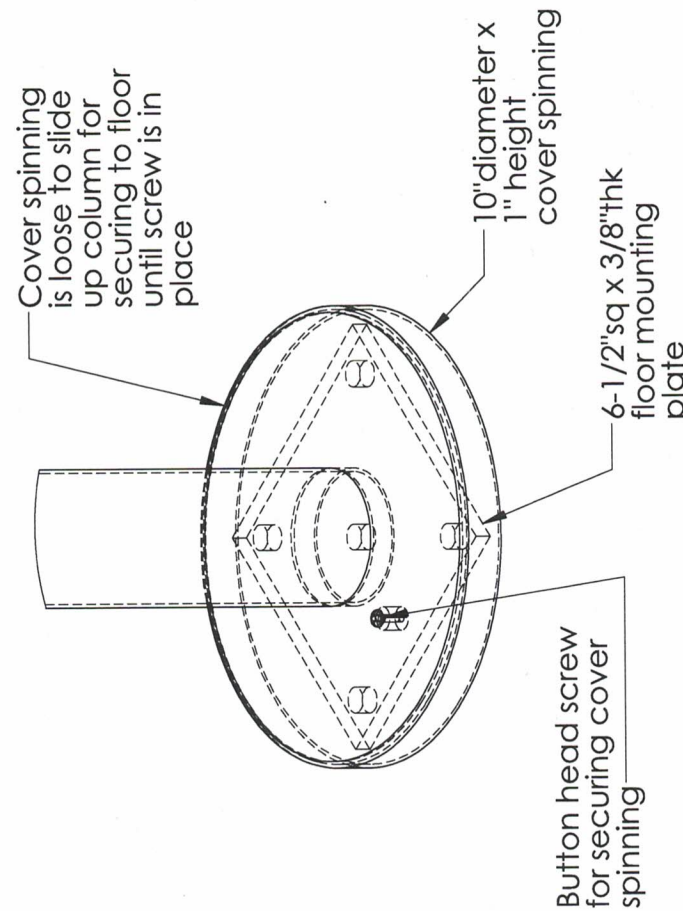


DETAIL A



- REV 1
- REV 2
- REV 3
- REV 4
- REV 5

Soren Holm

PROPRIETARY AND CONFIDENTIAL
 THE INFORMATION CONTAINED IN THIS DRAWING IS THE SOLE PROPERTY OF SOREN HOLM INCORPORATED. ANY REPRODUCTION IN PART OR AS A WHOLE WITHOUT THE WRITTEN PERMISSION OF SOREN HOLM INCORPORATED IS PROHIBITED.

UNLESS OTHERWISE SPECIFIED:
 DIMENSIONS ARE IN INCHES
 TOLERANCES:
 FRACTIONAL: ± 1/32"
 ANGULAR: ± 0.5 DEG
 TWO PLACE DECIMAL: ± 0.03
 THREE PLACE DECIMAL: ± 0.015
 MATERIAL
 FINISH

DRAWN BY: A.HOLM
 ENG APPR:
 MFG APPR:
 COMMENTS:

TITLE: Bolt Down Post Leg

NAME: A.HOLM
 DATE: 10/5/2021

SIZE: A
 DWG. NO.: 1101BD.30X
 REV

DO NOT SCALE DRAWING