

8 7 6 5 4 3 2 1

D

D

C

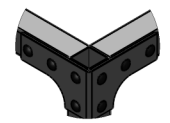
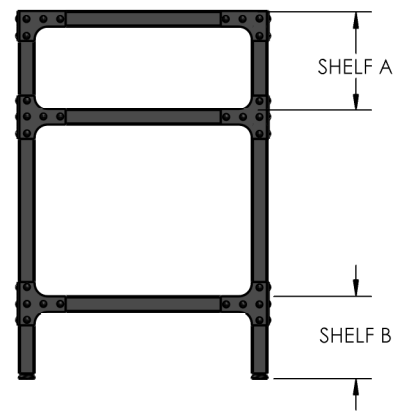
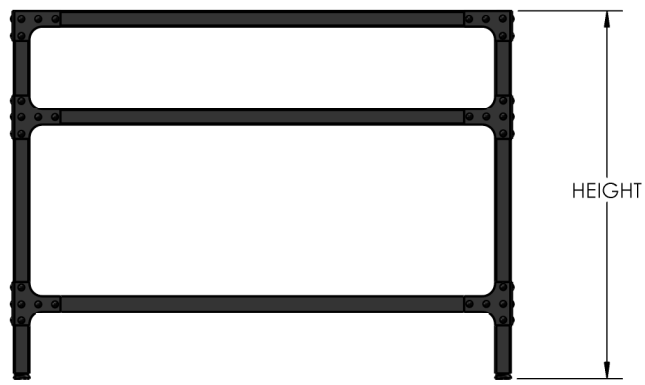
C

B

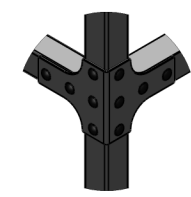
B

A

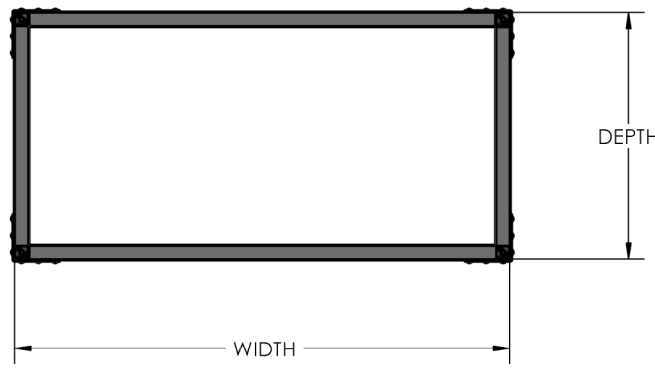
A



DETAIL A  
SCALE 1 : 6



DETAIL B  
SCALE 1 : 6

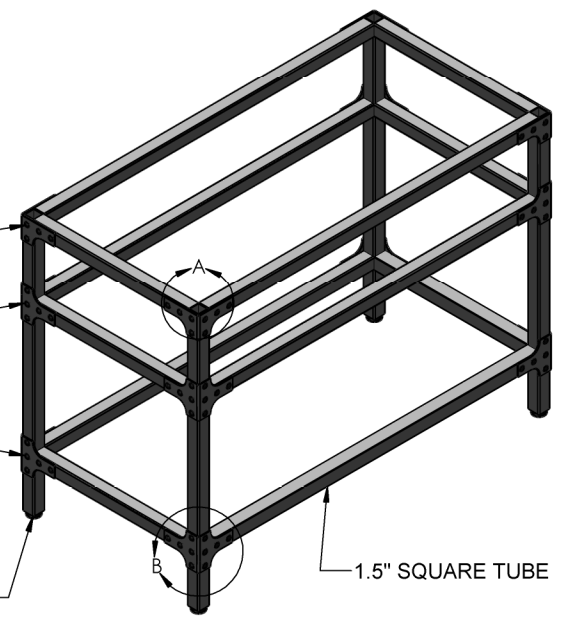


BRACKET A

BRACKET B

BRACKET B

ADJUSTABLE GLIDE



*Søren Holm*  
incorporated

PROPRIETARY AND CONFIDENTIAL  
THE INFORMATION CONTAINED IN THIS DRAWING IS THE SOLE PROPERTY OF SØREN HOLM INCORPORATED. ANY REPRODUCTION IN PART OR AS A WHOLE WITHOUT THE WRITTEN PERMISSION OF SØREN HOLM INCORPORATED IS PROHIBITED.

|             |         |                             |  |                         |        |                          |   |
|-------------|---------|-----------------------------|--|-------------------------|--------|--------------------------|---|
|             |         | UNLESS OTHERWISE SPECIFIED: |  | NAME                    | DATE   | SØREN HOLM INCORPORATED  |   |
|             |         | DIMENSIONS ARE IN INCHES    |  | DRAWN                   | S.Holm | 14/15/17                 | TITLE:<br><b>INDUSTRIAL STYLE<br/>BENCH 100</b> |
|             |         | TOLERANCES:                 |  | CHECKED                 |        |                          |   |
|             |         | FRACTIONAL ± 1/16"          |  | ENG APPR.               |        |                          |   |
|             |         | ANGULAR ± 1 degree          |  | MFG APPR.               |        |                          |   |
|             |         | TWO PLACE DECIMAL ± .03     |  | Q.A.                    |        |                          | SIZE<br><b>B</b>                                |
|             |         | THREE PLACE DECIMAL ± .015  |  | SØREN HOLM INCORPORATED |        | DWG. NO.<br><b>100.0</b> |   |
|             |         | MATERIAL                    |  | ph 905-799-0812         |        | REV<br><b>0</b>          | SHEET 1 OF 1                                    |
|             |         | FINISH                      |  | USA 1-800-224-2531      |        |                          |   |
| NEXT ASSY   | USED ON | DO NOT SCALE DRAWING        |  | fax 905-799-3768        |        |                          |   |
| APPLICATION |         |                             |  | sorenholm.com           |        |                          |   |

8 7 6 5 4 3 2 1